

MIRACLE User's Manual



MIRACLE English Manual

Product Structure

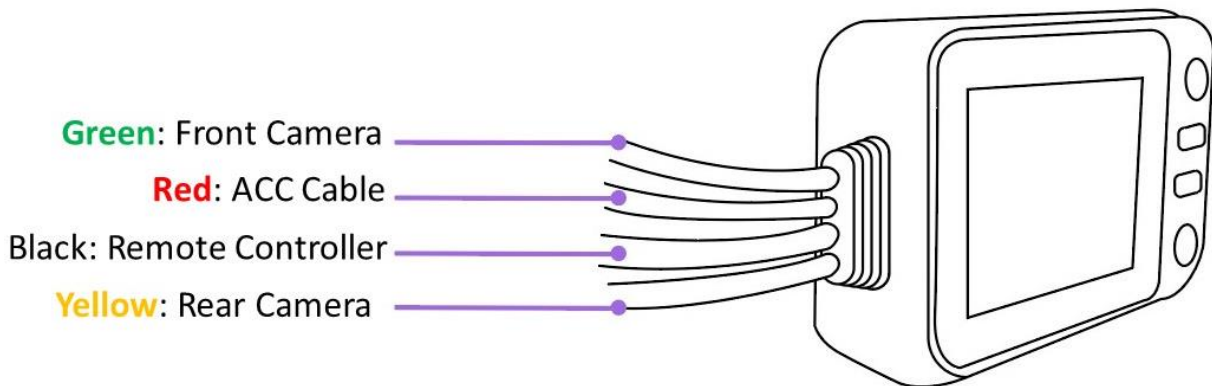
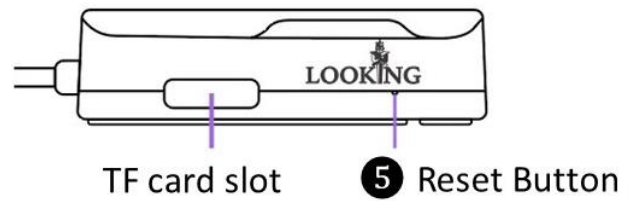
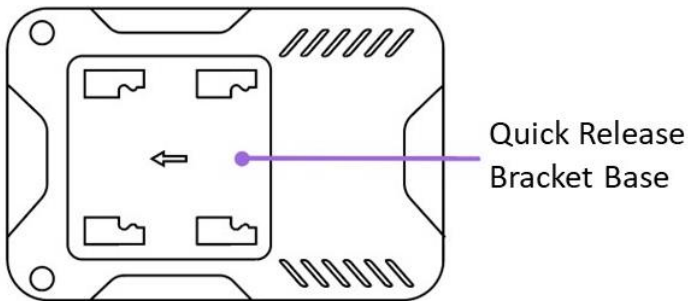
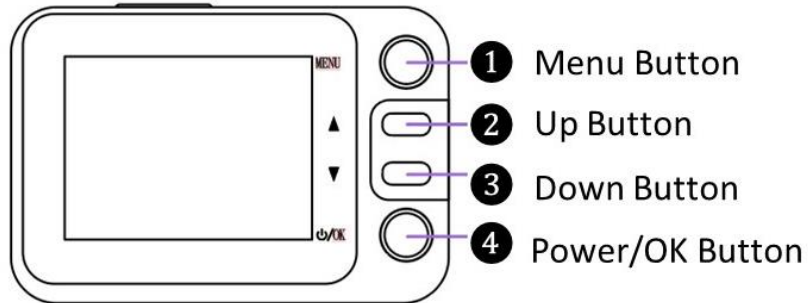
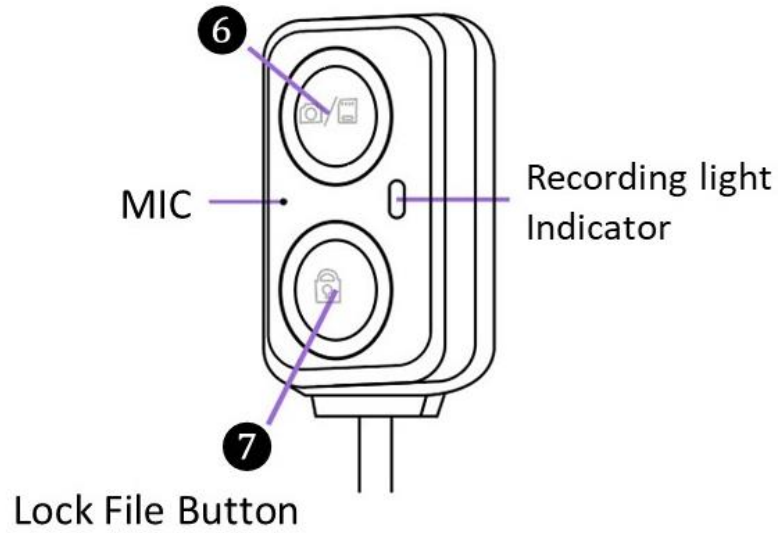


Photo snapshot/Formatting

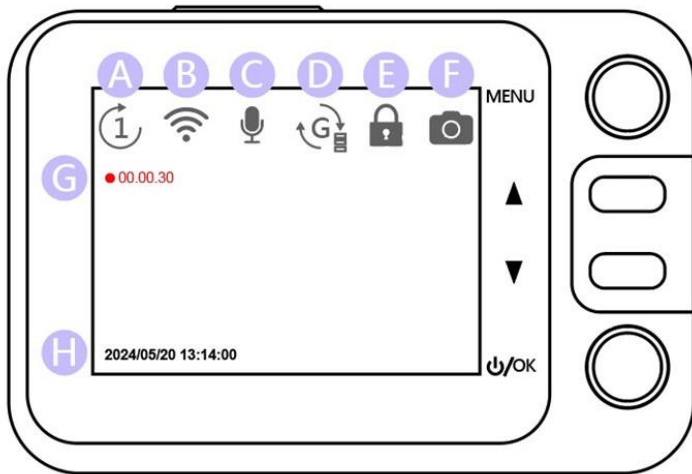


1. Menu Button
2. Up Button
3. Down Button
4. Power/ OK button
5. Reset Button
6. Photo / Snapshot Button
7. Lock File Button

* 2. Up Button: Turn on/off WIFI

* 3. Down Button: Switch camera display (Need to turn off the WIFI first)

Display Interface



- A Loop recording segment (OFF/ 1 min/2 min/ 3 min)
- B WIFI ON/OFF
- C MIC ON/OFF
- D G-sensor : (OFF / High / Middle / Low)
- E Lock critical files
- F Photo snapshot
- G ●REC Recording time
- H Date/Time

Key Operation

Reminder: Short press the Power/OK button ④ to pause recording before using any function buttons on the device. Only then will the function buttons be activated.

Menu Button: ①	Long press to enter the file playback interface. Short press to enter the menu settings interface (press again to return to the main Menu).
Up Button: ②	Long press: Turn Wi-Fi on/off. Short press: In menu setting mode, it moves up through the menu items. In file playback mode, it switches to the previous file.
Down Button: ③	Long press: Switch camera display. Short press: In menu setting mode, it moves down through the menu items. In file playback mode, it switches to the next file.
Power/OK Button: ④	Long press (3 seconds): Power on/off. Short press: In recording mode, start/pause recording. In menu mode, confirm the menu settings. In playback mode, start/pause file playback.

General Settings

First, short press the Power/OK button ④ to pause recording, then press the Menu button ① to enter the settings menu. Use the Up button ② and Down button ③ to scroll through the menu options, and short press the Power/OK button ④ to confirm.

Settings Menu Options:

Wi-Fi:	Off / On
Resolution:	FHD P30 + FHD P30 (1920*1080P 30FPS)
Loop Recording:	Off / 1 minute / 2 minutes / 3 minutes
Key Beep:	Off / On
Recording Sound:	Off / On
Time Setup:	Use the <u>Up button</u> ② or <u>Down button</u> ③ to adjust the time, then short press the <u>Power/OK button</u> ④ to confirm and proceed to the next setting
Language:	Traditional Chinese / Simplified Chinese / English / Japanese
Light Frequency:	50Hz / 60Hz
Screen Saver:	Off / 1 minute / 3 minutes / 5 minutes
Screen Sensitivity:	Off / High / Medium / Low
Default:	Restore factory settings
Tilt Lock:	Off / On
Memory Card Format Reminder:	Off / 30 days
Memory Card Formatting:	Deletes all files on the memory card
System Restore:	Restores factory default settings
Version:	to view the current firmware version of the device

Installation

1. Hidden installation of the display and lens.
2. Connect the red cable to ACC Key-on (+), and black to GND.
3. Please use the full set of the cable and machine, the car charger transforms the voltage from 12V-24V to 5V.
4. Adjust the lens angle when the installation is done.
5. The controller has built-in MIC, don't cover it when installation.

Insert Micro SD card

Note:

1. Please format the memory card when using a new card in this device for the first time.
2. Please use the U1 micro SD card. (30MB/S above)

1. Insert the Micro SD card according to the indicated direction
2. To remove the memory card, push the card in and the card should automatically pop out.
3. The process of formatting the memory card: Short press the Power/OK button ④ to pause recording → Short press the Menu button ① to enter the settings menu → Select "**Memory Card Format**" → Press the Power/OK button ④ to execute the format.
4. Use controller to format the memory card: **Long press** Photo snapshot / Formatting button ⑥ 5 seconds → **Red light** will start flashing → **Short press** Photo snapshot / Formatting button ⑥ again → the **Red light** will start **Quick flashing** until formatting complete.

Recording Mode

Note:

The machine will be powered automatically when turn the key on, please don't remove the TF card when the machine is recording.

1. Recording mode is the default mode for this device. When in recording mode, you will see the "●" icon in the upper left-hand corner.
2. In recording mode, short press Power/OK button ④ to start/pause recording.
3. Press Menu button ① to enter the video settings menu, Up ② and Down buttons ③ can scroll through menu items. Under the video settings menu, you can choose the resolution, segment of recording, audio on/off...etc.
4. Use controller: Press the Lock file button ⑦ to save the current recording file; press the Photo Snapshot button ⑥ to take a photo.

Playback Mode

1. Short press Power/OK button ④ to stop recording and enter the playback mode by long press the Menu button ①
1. In playback mode, you can browse general files, locked files, and photos from both the front and rear cameras.
3. Press the Up button ② or Down button ③ to switch between files; press the Power/OK button ④ to select and view the file; short press the Menu button ① to go back to the previous page.

6-in-1 Functions of Standard Wired Controller

1. Short press: Take photos

2. Long press: Format the memory card

6

MIC

7

Short press: Lock the critical file



Indicator Light:

- Recording: Green light flashing (1 time/sec)
- Stop recording: Green light remains on
- Snapshot : Green light quick flashing (5 times)
- Lock critical file: Green light flashing (2 times/sec)
- Memory card in formatting: Red light quick flashing
- 30 days memory card format notification : Red light flashing (1 time/sec)
- Abnormality (memory card /Camera): Red light remains on
- Updating firmware: Red light flashes slow, then fast

6-in-1 Function:	Indicator Light:
1. Photo snapshot:	Green light quick flashing (5 times)
2. Lock the critical files (Manual / Collides / Tilts)	Green light flashing (2 times /sec) until locking is complete
3. MIC	N/A
4. Recording indicator	Recording: Green light flashing (1 time/sec) Stop recording: Green light remains on
5. Memory card format notification	30 days memory card format notification: Red light flashing (1 time/sec)
6. Format memory card	Long press ⑥ <u>Photo snapshot / Formatting</u> 5 seconds → Red light will start flashing → Short press ⑥ <u>Photo snapshot / Formatting</u> again → the Red light will start Quick flashing until formatting complete. When format is done, the Green light will start flashing

Product Features

1. Dual FHD 1920 x 1080P recording with high-definition image quality.
2. ULTRA MP4 video format reduces the risk of dropped frames with real-time writing and supports various playback applications.
3. Supports Wi-Fi connection, allowing file access via mobile app without disassembly.
4. Equipped with a super capacitor, safer and more durable than traditional lithium batteries.
5. G-sensor auto-locks important files to prevent data loss.
6. Automatic 30-day memory card format reminder ensures data storage integrity.
7. With a 6-in-1 mini remote control, supporting one-click photo capture and file lock, memory card formatting, microphone recording, recording indicator, and automatic format reminder.

Pop Up Memory Card Format Notification

1. A notice to remind users to format the memory card. In the setting menu there are options for 30 or 45 days. Default setting is 30 days.
2. Reminder methods: (1) Camera display (2) Lookingcam APP (3) Wired controller

Note: Format the memory card regularly to extend the lifespan of the card and ensure the camera is recording stably.

WIFI APP

1. Scan the QR code to download the APP
2. Switch on the motorcycle DVR and WIFI function (the WIFI default setting is on)
3. The WIFI name & password will show on the display. Password: 12345678
4. After the device is linked, you may now use the APP

Note: When the device is on, the Wi-Fi is auto on. Long press Up button ② to turn off the Wi-Fi before using the other buttons. Long press Up button ② again to turn on the Wi-Fi.

Please scan the QR code to download the APP,
or search LOOKING CAM on Google play/APP store.



iOS Looking CAM



Android Looking CAM

Product Specification

Lens	LOOKING Exclusive Optical Lens
Viewing Field	Dual 150°
Aperture	F /2.2
Monitor	2" LCD Display
Resolution	Dual channel FHD1920 x 1080P 30 FPS
Video Format	ULTRA MP4
Photo Format	JPEG
Audio	External MIC in wired controller
Memory card	Max. 128G Micro SD (U1 writing speed 30MB/S above)
External Power supply	Input: 12V-24V 2A Output: 5V 2A
Internal Power supply	Supercapacitor
Host Dimension	76 x 51 x 22 mm / 81 g
Working humidity	10%-80%
Working Temperature	-10 °C ~ + 65 ° C
6-in-1 Wired Controller	Standard

Problem Shooting

1. Can't record: Check the SD card if there is enough space.
2. Stop recording while riding: (1) Check the SD card if is with 30MB/S above. The SD card writing & reading speed is required to this device. (2) Check the loop recording is on or not.
3. "Wrong file" or "damaged file" showed: Check the SD card and format it (please use the device to format the SD card not by PC). If the SD card has problem the file can't be saved properly.
4. Fuzzy image: Check the camera lens and clean it.
5. The image is shaking: (1) Check the lens bracket is fixed tightly. (2) Check the installation of the device, if it's too closed to the coil and spark plug, it will have signal interference.
6. Buttons no work: Turn off the WIFI first, if the WIFI function is on, the buttons can't work.