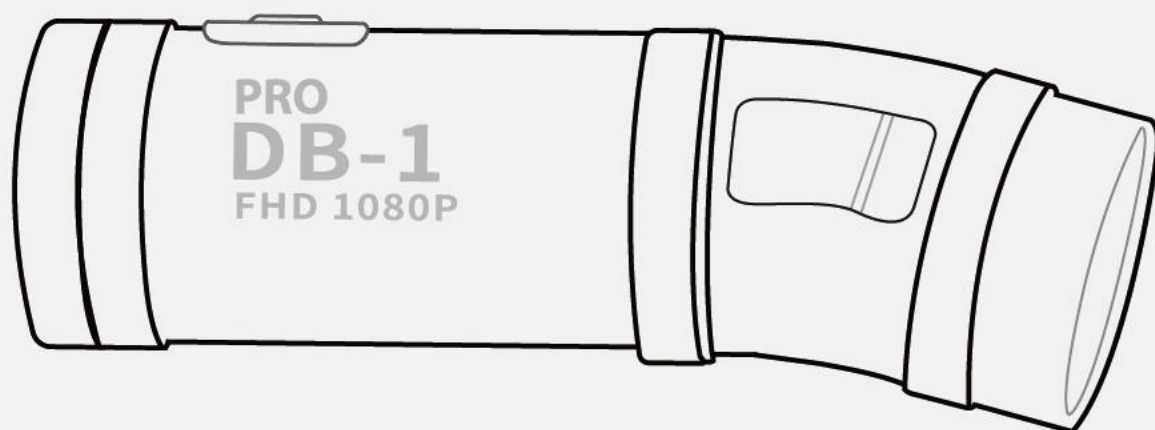


DB-1 PRO

User's manual

All-in-one portable dual channel FHD 1080P
motorcycle helmet camera



Product Specification

Sensor	SONY IMX307
Aperture	F/1.8
Lens Angle	Front 140° / Rear 140°
Photo	JPG Max. 2M
Video	MP4 H.265
Resolution	QHD 2K Single-Channel FHD 1920 × 1080P 30fps Dual-Channel HD 1280 × 720P 60fps Dual-Channel
Battery	1600 mAh (Note : 3.5 - 4 hours)
Size / Weight	110 × 40 × 33 (mm) / 104g
Memory Card	TF card Max. 128G
Wi-Fi	Built-in
MIC	Built-in
Controller	Optional wireless controller can take a photo/lock the file

Product Features

- Unique patented design in the market
- Portable design, easy DIY installation can be used for various activities
- Energy-efficient detection to maximize battery duration
- Dual-channel FHD 1080P / Single-channel 2K recording
- Storage capacity: max. 128G
- Wi-Fi connectivity to smartphone

Product Structure



Front cam

Rear cam

1. Key button	3. MIC	5. Reset
2. TF card slot	4. USB charging port	

Key button commands

To power on / off : Press and hold the button for 3 seconds, and the camera will vibrate.

To start / stop recording : Press the button ONCE.

To turn the Wi-Fi on / off : (Stop recording first.) Press the button TWICE.

To format the TF card : (First, stop recording and turn off the Wi-Fi.) Press the button 5 times and the camera will vibrate 5 times.

Note: If the camera detects there is no TF card inside or can't read the new card, the 3 lights will flash quickly and it's a warning (an error) or no card.

Operations

■ Charge the Battery

1. Please charge the camera before use.
2. Please use the USB cable included to charge the camera.
3. While charging, the charging light (red light) will remain on, and it will automatically shut off at full charge.

Note: During use, the GREEN light will flash quickly if battery is LOW. If the battery reaches 0%, the camera will automatically turn off.

■ Insert the TF card

1. Open the cover of the TF card slot.
2. Insert a Class 10 or above TF card. Max. storage is 128G.
Please make sure to insert the TF card in the right direction and cover the card slot.
3. Don't remove the TF card while the camera is recording.
4. Please format the TF card when using it for the first time. Format the TF card by pressing the camera's key button 5 times.

Note: When using a new 64GB / 128GB TF card, make sure to format it first or the camera might not be able to detect it (you will see 3 lights flashing quickly).

■ Format the TF card

By pressing the camera's key button:

Step 1: Press the key button TWICE to turn off the Wi-Fi.

Step 2: Press the key button 5 times and the camera will vibrate 5 times to format the card.

When the format is done, the camera will automatically start recording and the white light is slow flashing.



■ Using the Camera

1. Before use, make sure that the camera is fully charged and the TF card is inserted.

Note: The TF card must be formatted when using it with the camera for the first time.

2. Long press the key button 3 seconds to turn on the camera, and it will vibrate once.
3. Once the camera is turned on, the recording light (white light) remains on (meaning, it's not recording), then it will automatically start recording. The white light will flash during recording.
To STOP recording, press the key button. The camera will vibrate once, and the white light will remain on (not flashing).
To start recording again, press the key button and the camera will vibrate. The white light will start flashing indicating that the camera is recording.
4. Turn on the camera's Wi-Fi by pressing the key button TWICE. The blue Wi-Fi light will flash indicating that the camera's Wi-Fi is turned on. If it is not connected to the phone's Wi-Fi within 1 minute, the camera's Wi-Fi will automatically turn off. If the camera is connected to the phone's Wi-Fi, the blue light will remain on (it will not be flashing).

Note: If you turn off the camera without turning off the camera's Wi-Fi, the next time when the camera is turned on, the Wi-Fi will automatically be on.

5. Long press the key button 3 seconds to turn off the camera, and it will vibrate twice.
6. If the camera can't detect a memory card or if there's an error in reading the card, the camera will vibrate 3 times and 3 lights will flash as a warning.

■ Low-power Alarm

The battery light (green light) shows the camera's battery power.

Green light remains on : battery power is more than 50%.

Green light slow flashes : battery power 30%-50%.

Green light quick flashes : battery power is less than 30%.

Note: During use, the GREEN light will flash quickly if the battery is LOW. If the battery reaches 0%, the camera will automatically turn off.

■ Intelligent Energy-saving System

1. When the camera does not detect any motion for 3 minutes, it will automatically turn off.
2. When an external power supply is connected, the energy-saving system will be disabled.
3. This feature can be turned on/off in the APP's setting page.

■ Set up

Please check the video of how to set up the camera.



Open the main camera holder and put the camera in.



Screw up the camera holder.



Stick the mount on the helmet.



Assemble the quick release clip with the mount.



Remember to press the rubber pad tightly to avoid any vibration.



Using the Remote Control

The remote control is optional. The camera and remote control will be automatically connected within 3 meters.

Lock file button



Take photo button



Use the APP via WIFI

Please scan the QR code to download the APP, or search LOOKING CAM on Google play/APP store.



iOS Looking CAM



Android Looking CAM



1. Download the LOOKING CAM APP to your phone.
2. After turning on the camera, press the key button TWICE to turn on its Wi-Fi. Once the Wi-Fi is on, the blue Wi-Fi indicator light will flash.

Note: If the camera is not connected to the phone within 1 minute, the camera's Wi-Fi will automatically turn off. If the camera successfully connects to your phone, the camera's blue Wi-Fi indicator light will remain on (not flashing).

3. Go to your phone's Wi-Fi setting page, click the camera's Wi-Fi and enter the password to connect to it. The camera's Wi-Fi name is DB1+SSID NO. and the password is 12345678.

Note: Please DON'T change the Wi-Fi name nor password to avoid connection errors.

4. Once the camera's Wi-Fi is connected to your phone's Wi-Fi, open the LOOKING CAM APP and follow the on screen instructions to add the camera to the APP.
5. If successful, you'll see the camera in the LOOKING CAM app. Click ACCESS CAMERA, you can now use the app to control the camera, start / stop recording, take photos, view and download your videos, and more.
6. When the camera is connected to the APP (blue light is ON but NOT flashing), all operation (such as start / stop recording) should be done through the APP because the key button on the camera will be disabled.
7. To change the camera's settings, go to the APP then press the Settings icon.

Note: The camera will STOP recording when you're in the Settings page (the white light is on, but NOT flashing). Remember to go back to the main page, so the camera can continue recording (indicated by the flashing white light).

APP Connection:



APP Operation:

